

THIS DRAWING IS AN UNCONTROLLED COPY UNLESS STAMPED OTHERWISE

CONTRACTORS SHALL VERIFY JOB DIMENSIONS BEFORE ANY JOB COMMENCES. ALL SHOP DRAWINGS SHALL BE SUBMITTED TO THE SUPERINTENDENT AND MANUFACTURER SHALL NOT COMMENCE PRIOR TO THE RETURN OF DRAWINGS. THIS DRAWING SHALL BE READ IN CONJUNCTION WITH ALL RELEVANT CONTRACT SPECIFICATIONS AND DRAWINGS COPYRIGHT OF THIS DRAWING IS VESTED IN WARDLE.

General Notes

18mm E1 MDF CARCASS THROUGHOUT UNLESS OTHERWISE NOTED.

ALL NON EXPOSED CARCASS TO BE MATCHING LAMINATE UNLESS OTHERWISE NOTED.

ALL NON EXPOSED CARCASS TO BE BLACK LAMINATE TO JOINERY RECEIVING TIMBER VENEER FINISH, REFER MATERIALS SCHEDULE [PL-05]

ALL NON EXPOSED CARCASS TO BE WHITE LAMINATE TO JOINERY RECEIVING STAINLESS STEEL CLADDING, REFER MATERIALS SCHEDULE [PL-01]

ALL EXPOSED EDGES TO TIMBER VENEER PANELS TV-01 TO RECEIVE 3mm THK MATCHING SOLID EDGES, UNLESS OTHERWISE NOTED.

SPLIT BATTENS TO BE 12mm UNLESS OTHERWISE NOTED.

APPLY MATCHING LAMINATE ABS EDGING TO LAMINATED BENCHTOPS, UNLESS OTHERWISE NOTED.

REFER TO '1300 - MATERIALS SCHEDULE' FOR A DESCRIPTION OF THE MATERIAL CODES AS SHOWN ON THIS DRAWING. [TV-00]

REFER TO '1400 - FIXTURES, FITTINGS & EQUIPMENT SCHEDULE' FOR A DESCRIPTION OF THE FF&E CODES AS SHOWN ON THIS DRAWING. [JH-00]

ALL JOINERY LOCKS TO BE [H-02] UNLESS OTHERWISE NOTED.

REFER TO DRAWING AR7300 FOR MOUNTING HEIGHTS FOR ALL SERVICES, FIXTURES, UNLESS OTHERWISE DIMENSIONED ON THE JOINERY ELEVATIONS.

ALL CORNER JUNCTIONS TO BE MITRED UNLESS OTHERWISE NOTED.

ALL UPHOLSTERY STITCHING TO MATCH FABRIC COLOUR UNLESS OTHERWISE NOTED.

DRAWINGS TO BE READ IN CONJUNCTION WITH AR1000 SERIES INTERNAL ARRANGEMENT PLANS TO COORDINATE FIXINGS INTO PARTITIONS WHERE NECESSARY.

FS = FIXED SHELF
AS = ADJUSTABLE SHELF
FP = FIXED PANEL
PJ = PANEL JOIN, MAXIMUM WIDTH 2mm

C.O.S = CHECK ON SITE - DIMENSIONS MUST BE VERIFIED ON SITE BY CONTRACTOR PRIOR TO COMMENCEMENT OF CONSTRUCTION.

NCM = NOMINAL
TYP. = TYPICAL
SM. = SIMILAR
MIRR. = MIRROR
FCL = FINISHED CEILING LEVEL
FFL = FINISHED FLOOR LEVEL
SSL = STRUCTURAL SLAB LEVEL
C = CENTRELINE
D = DIRECTION OF GRAIN / FINISH

Rev	Issue	Revision Description	And	Date
A	SG	ISSUE FOR CONSTRUCTION	-	19.12.13
03	SG	100% CD - TENDER ISSUE	-	07.09.12
02	SG	75% CD ISSUE	-	13.07.12
01	SG	55% CD ISSUE	-	01.06.12

Rev	Issue	Revision Description	And	Date
A	SG	ISSUE FOR CONSTRUCTION	-	19.12.13
03	SG	100% CD - TENDER ISSUE	-	07.09.12
02	SG	75% CD ISSUE	-	13.07.12
01	SG	55% CD ISSUE	-	01.06.12



NADAAA

NADAAA
1320 Washington Street No.2
Boston
Massachusetts
02118 USA

Telephone
+1 617 442 8232
Facsimile
+1 688 442 1417
Email
nadaa@nadaaa.com

John Wardle Architects

25 Rokeby Street, Collingwood, Victoria 3066 Australia
Tel : +61 3 8662 0400 www.johnwardlearchitects.com
© 2012 John Wardle Architects ABN 83 006 814 268

Client **University of Melbourne Parkville Campus**

Project **Faculty of Architecture Building and Planning**

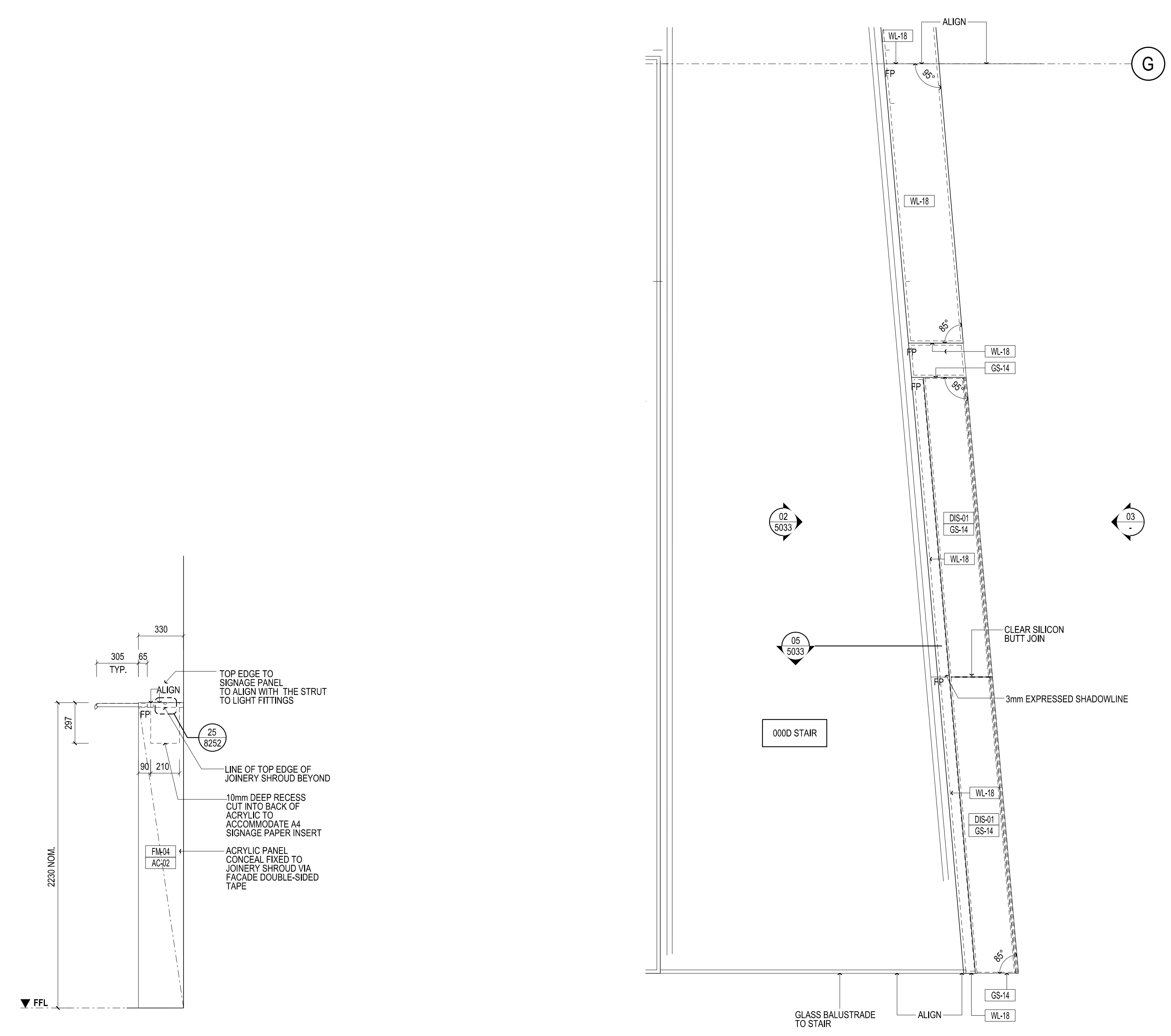
Title **JOINERY DETAILS - LIBRARY B01 AND G01 BOOK SHROUD DETAILS**

Project No.	0913	Scale	1:20 @ A0 1:40 @ A2
Drawing No.	AR8161	Revision	A

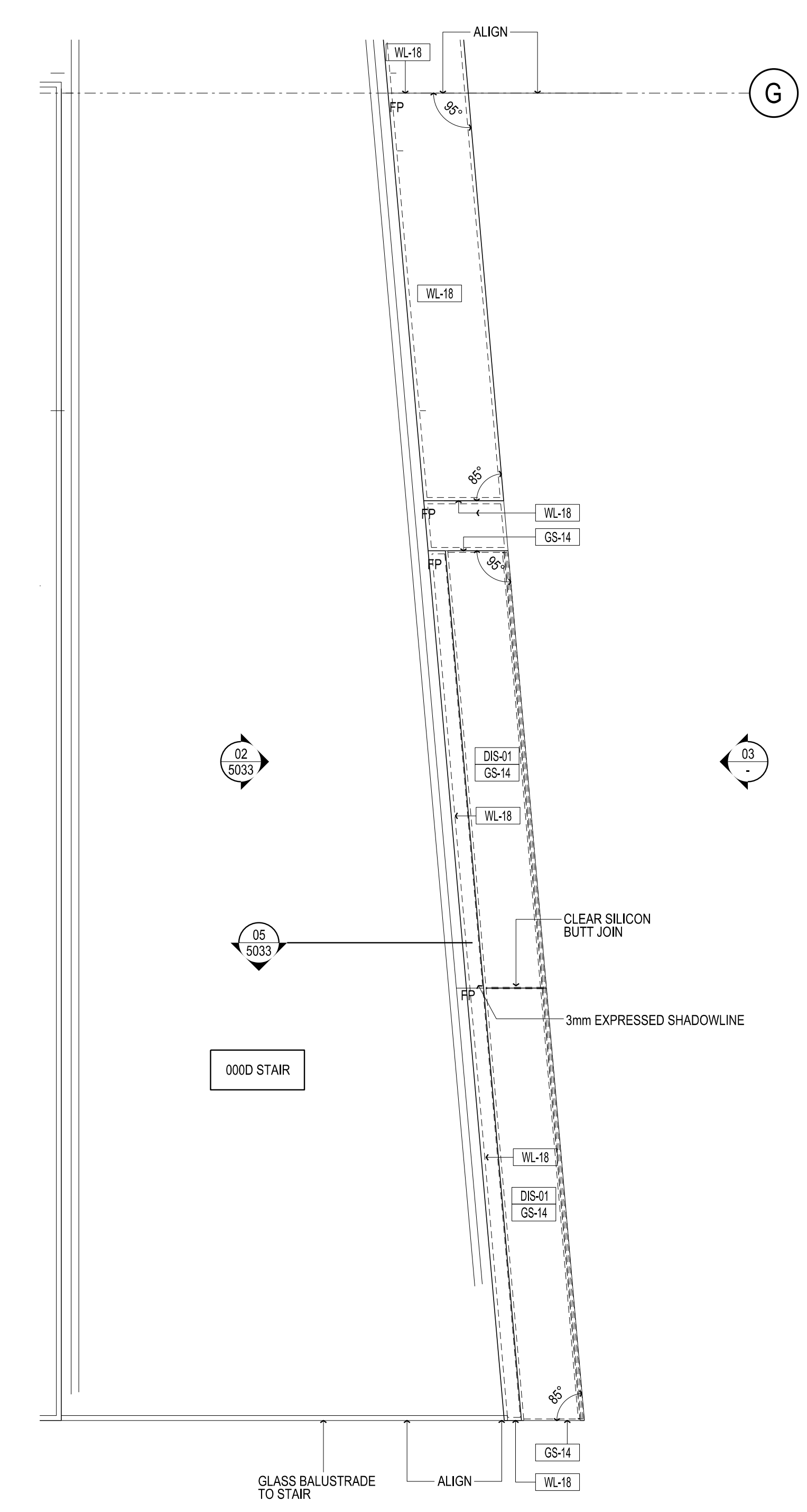
Date: Dec 2011 Drawn: KW Co-Ord: SG Chk: JA

FILENAME - \$FILES

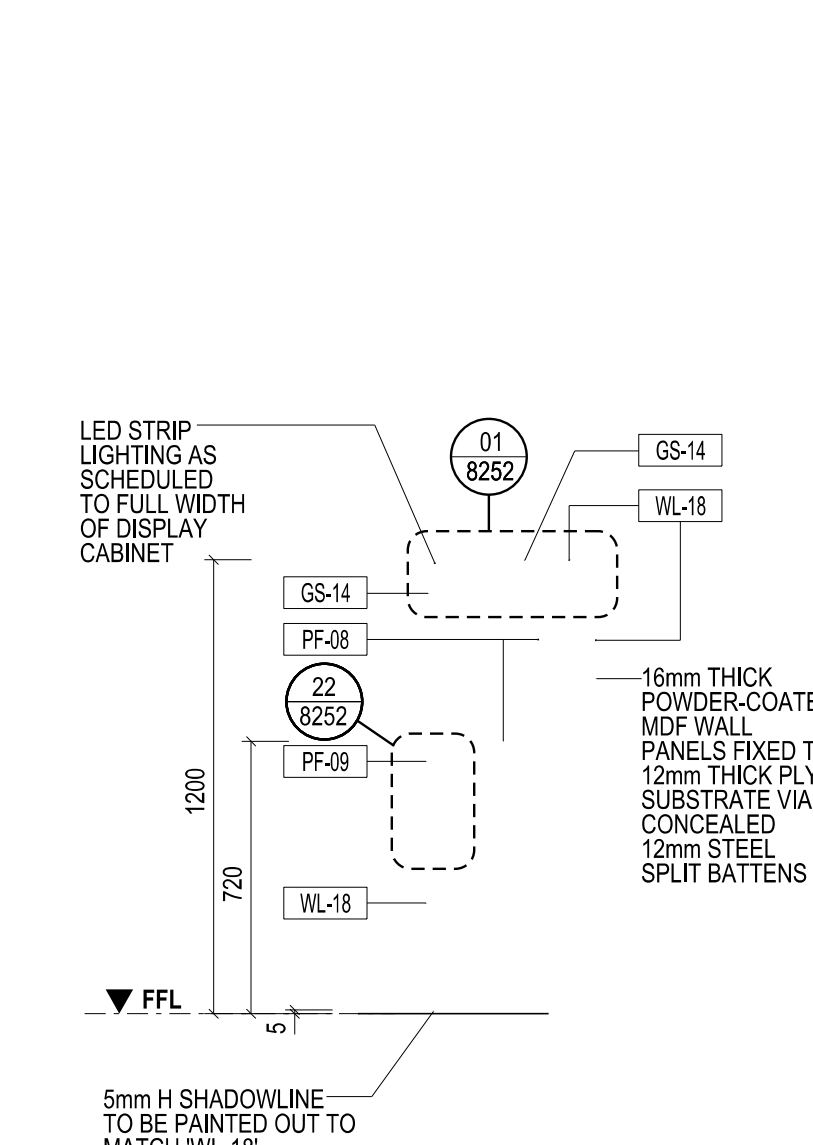
FOR CONSTRUCTION



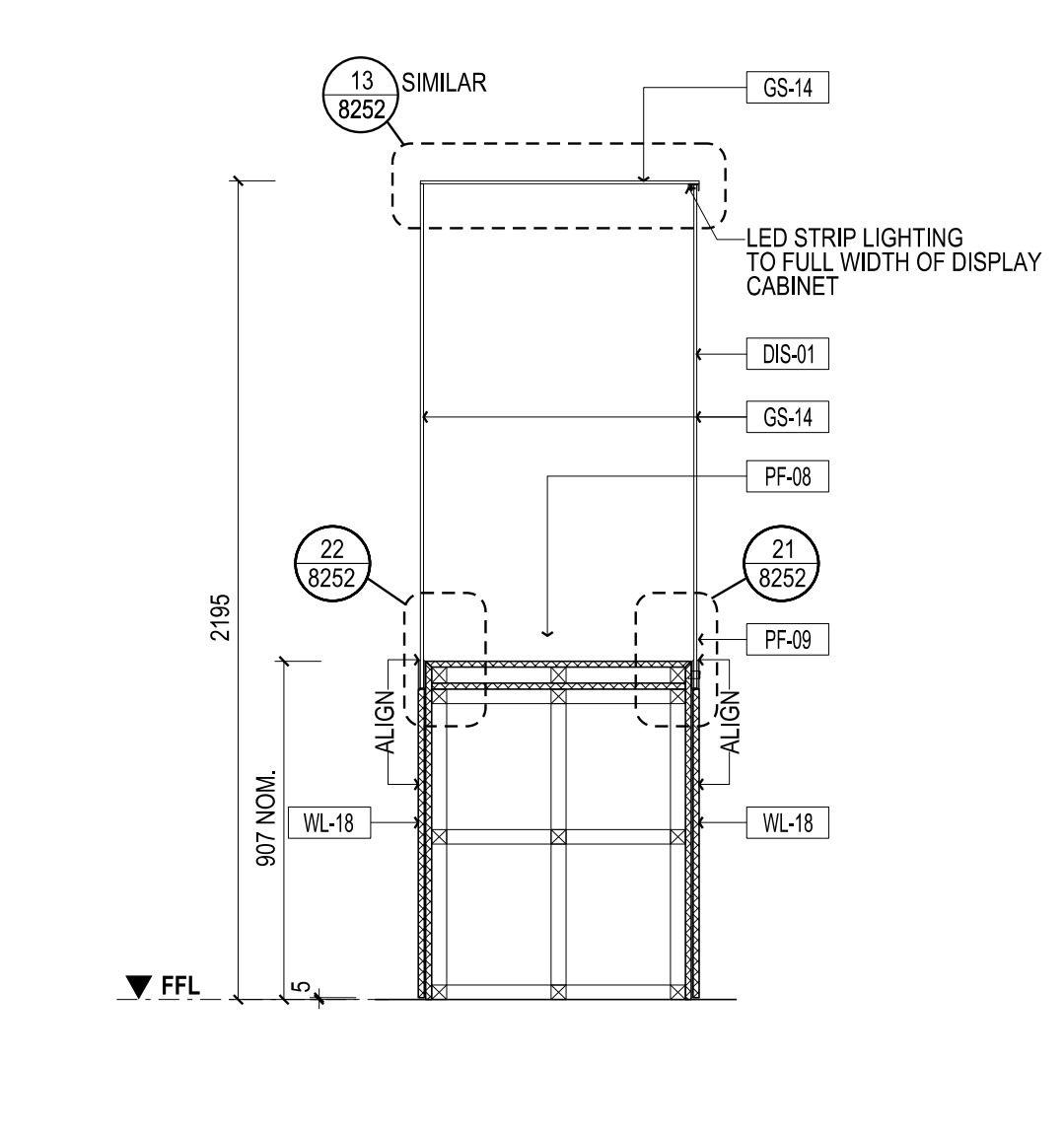
ELEVATION - JOB-28 (JOG-38, JOG-39 & JOG-40 ARE SIMILAR)
SIGNAGE PANEL TO SINGLE-SIDED BOOK SHROUDS
SCALE 1:20



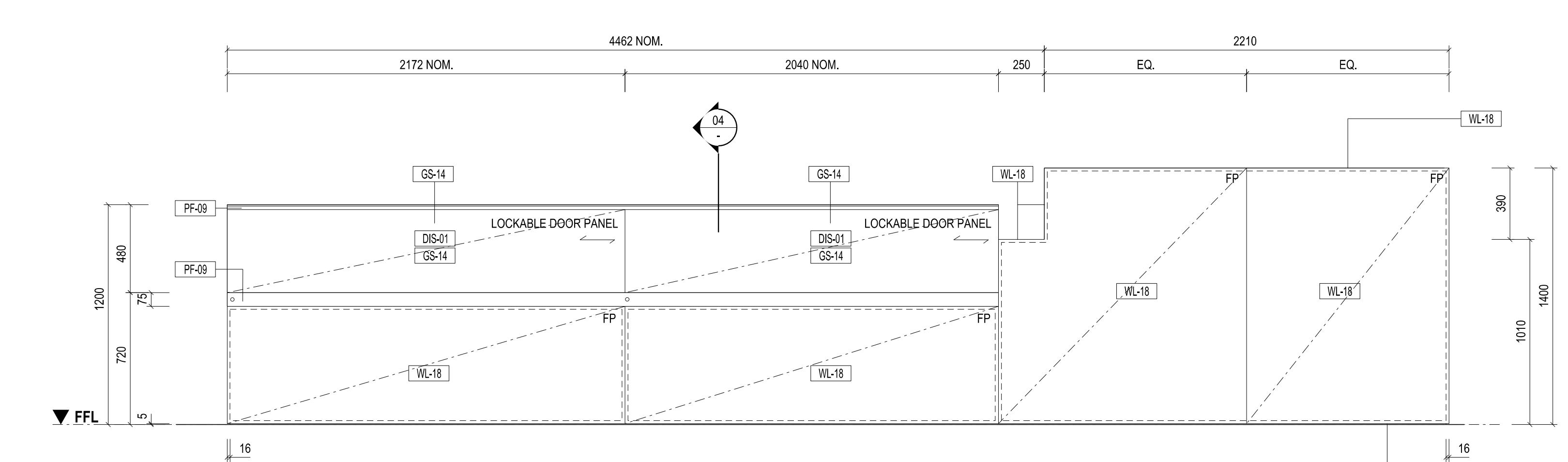
PLAN - JOG-06
DISPLAY
SCALE 1:20



SECTION - JOG-06
DISPLAY
SCALE 1:20



SECTION - JOB-23
DISPLAY
SCALE 1:20



ELEVATION - JOG-06
DISPLAY
SCALE 1:20